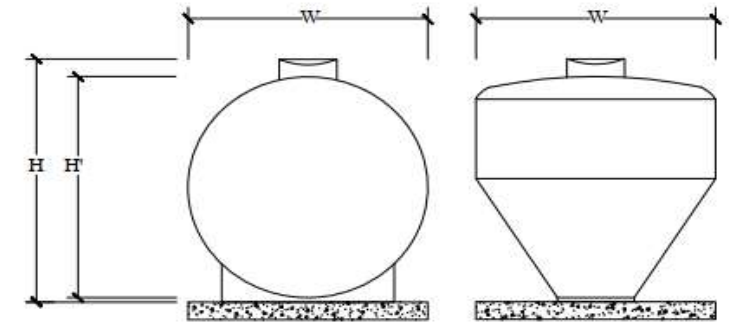
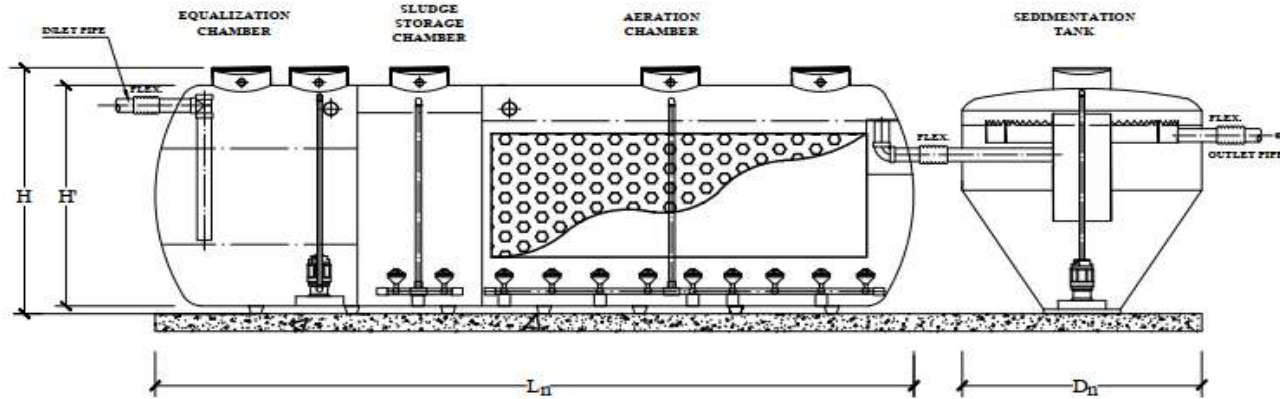




# Wastewater Treatment Units <ABIS - XXX Series>

## AB Inova System ABIS - Series Data Sheet



MODEL	DIMENTION (mm.)									PIPE (mm.)								TOTAL CAPACITY (CU.M)	AIR BLOWER (kW) x Set	SUBMERSIBLE PUMP (kW) x 2 Sets	SLUDGE PUMP (kW)
	Height (H,H')		Width (W)	Length (L <sub>n</sub> )				Dia. (D <sub>n</sub> )		INLET	OUTLET	OVER FLOW	TRANSFER	EXCEED SLUDGE	RETURN SLUDGE	MAIN-VENTILATION	SUB-VENTILATION				
	H	H'		L1	L2	L3	L4	D1	D2												
ABS 200	2770	2500	2500	6500	-	-	-	2500	-	150	150	150	150	50	50	50	50	37.0	1.5 (2)	0.4	0.4
ABS 250	2770	2500	2500	7900	-	-	-	2500	-	150	150	150	150	50	50	50	50	44.0	1.5 (3)	0.4	0.4
ABS 300	2770	2500	2500	4800	4800	-	-	2500	-	150	150	150	150	50	50	50	50	50.0	2.2 (2)	0.4	0.4
ABS 350	2770	2500	2500	5600	5600	-	-	2500	-	150	150	150	150	50	50	50	50	58.0	2.2 (2)	0.4	0.4
ABS 400	2770	2500	2500	6300	6300	-	-	2500	-	150	150	150	150	50	50	50	50	64.0	2.2 (2)	0.4	0.4
ABS 450	2770	2500	2500	7100	7100	-	-	2500	-	150	150	150	150	50	50	50	50	71.0	2.2 (2)	0.75	0.75
ABS 500	2770	2500	2500	7800	7800	-	-	2500	-	150	150	150	150	50	50	50	50	78.0	2.2 (2)	0.75	0.75
ABS 600	2770	2500	2500	6000	3700	9500	-	2500	2500	150	150	150	150	50	50	50	50	101.0	2.2 (2)	0.75	0.75
ABS 700	2770	2500	2500	6600	4000	11000	-	2500	2500	150	150	150	150	50	50	50	50	112.0	3.7 (2)	0.75	0.75
ABS 800	2770	2500	2500	7000	4500	6500	6500	2500	2500	150	150	150	150	50	50	50	50	125.0	3.7 (2)	0.75	0.75
ABS 900	2770	2500	2500	8100	5000	7100	7100	2500	2500	150	150	150	150	50	50	50	50	137.0	3.7 (2)	0.75	0.75